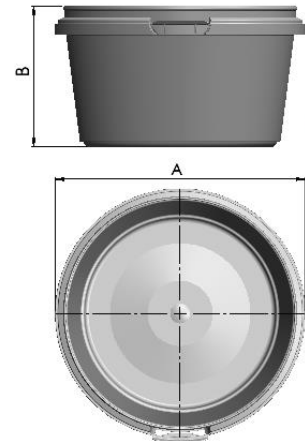


Produkt no.: 213250

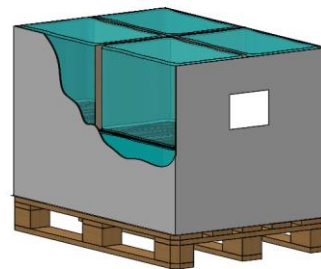
Ø95mm 250ml. Container with tamper 3250

Information:

Material:	Food Approved PP
Volume under Lid:	250 ml.
Tamper evident:	Yes
Diam:	A = Ø 95 mm
Height:	B = 53,5 mm
IML:	No



EU Pallet dimension: 1200 x 800
Total quantity per pallet/pallet place:
1 bag of 720 pcs. 4 bags x 2 = 8 bags for each pallet
Total of 5760 pcs. for each pallet.



Hot temperature:

The material chosen has a very good heat resistance and the packaging is suitable for hot filling. Notably, plastic packaging become flexible when subjected to hot filling temperatures and care must be taken in relation to stacking immediately after hot filling. The Kellpo packaging must be tested by the customer with the actual product before approval for use at hot temperatures.

Cold temperature:

Freezing conditions require special resins available on request.
The Kellpo packaging must be tested by the customer with the actual product before approval for use at low temperatures.

Shelf life:

The compliance of the product to the technical specifications in this data sheet is guaranteed for 24 months after the date of the delivery subject to suitable storage. Suitable storage includes protection of e.g. direct sun light, rain, very low temperatures, or very high temperatures over a long period.

Quality specifications

The product complies with the requirements in Commission Regulation (EU) No 10/2011 on plastic materials and articles intended to come into contact with food as amended by implementing Regulation (EU) No 321/2011, No 1282/2011, 1183/2012, 202/2014, 2015/174, 2016/1416, 2017/752, 2018/79, 2018/213, 2018/831, 2019/37, 2019/1338 and 2020/1245.