

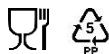
Product no.: 800260-001

Ø96mm Lid 800260-001

Information:

Material:

Food Approved PP Whit



Tamper evident:

Yes

Diam:

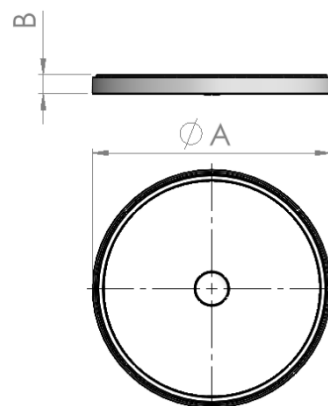
A = Ø 97,5 mm

Height:

B = 7,7 mm

IML:

No



Pallet dimension: 1200 x 800

Total quantity per pallet/pallet place:

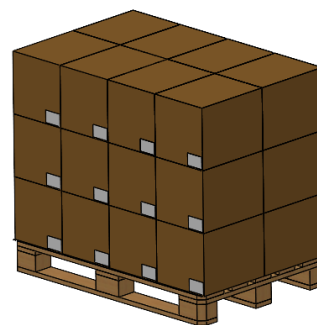
25 pcs. in each bag



1 box 16 bags of 25 pcs. = 400 pcs.

24 boxes for each pallet

Total of 384 bags = 9.600 pcs. for each pallet.



Hot temperature:

The material chosen has a very good heat resistance and the packaging is suitable for hot filling. Notably, plastic packaging become flexible when subjected to hot filling temperatures and care must be taken in relation to stacking immediately after hot filling. The Kellpo packaging must be tested by the customer with the actual product before approval for use at hot temperatures.

Cold temperature:

Freezing conditions require special resins available on request.

The Kellpo packaging must be tested by the customer with the actual product before approval for use at low temperatures.

Shelf life:

The compliance of the product to the technical specifications in this data sheet is guaranteed for 24 months. after the date of the delivery subject to suitable storage. Suitable storage includes protection of e.g. direct sun light, rain, very low temperatures, or very high temperatures over a long period.

Errors (Defects and Deviations)

Variations in print color within the range considered acceptable and common in the industry are not considered defects. Deviations in the delivery quantity of up to +/- 10 percent in a single delivery are not considered defects but entitle an adjustment of the invoiced amount proportionally. The customer accepts defects in the delivered products up to 0.025 percent (250 units per million) based on a rolling 12-month quantity, without resulting in price adjustments or entitling the customer to remedies for breach of contract.

Quality specifications

The product complies with the requirements in Commission Regulation (EU) No 10/2011 and its amendments up to (EU) Regulation No. 2023/1627.